

PARTS LIST

[UX-V30]

* All printed circuit boards and its assemblies are not available as service parts.

Area suffix

UF -----China

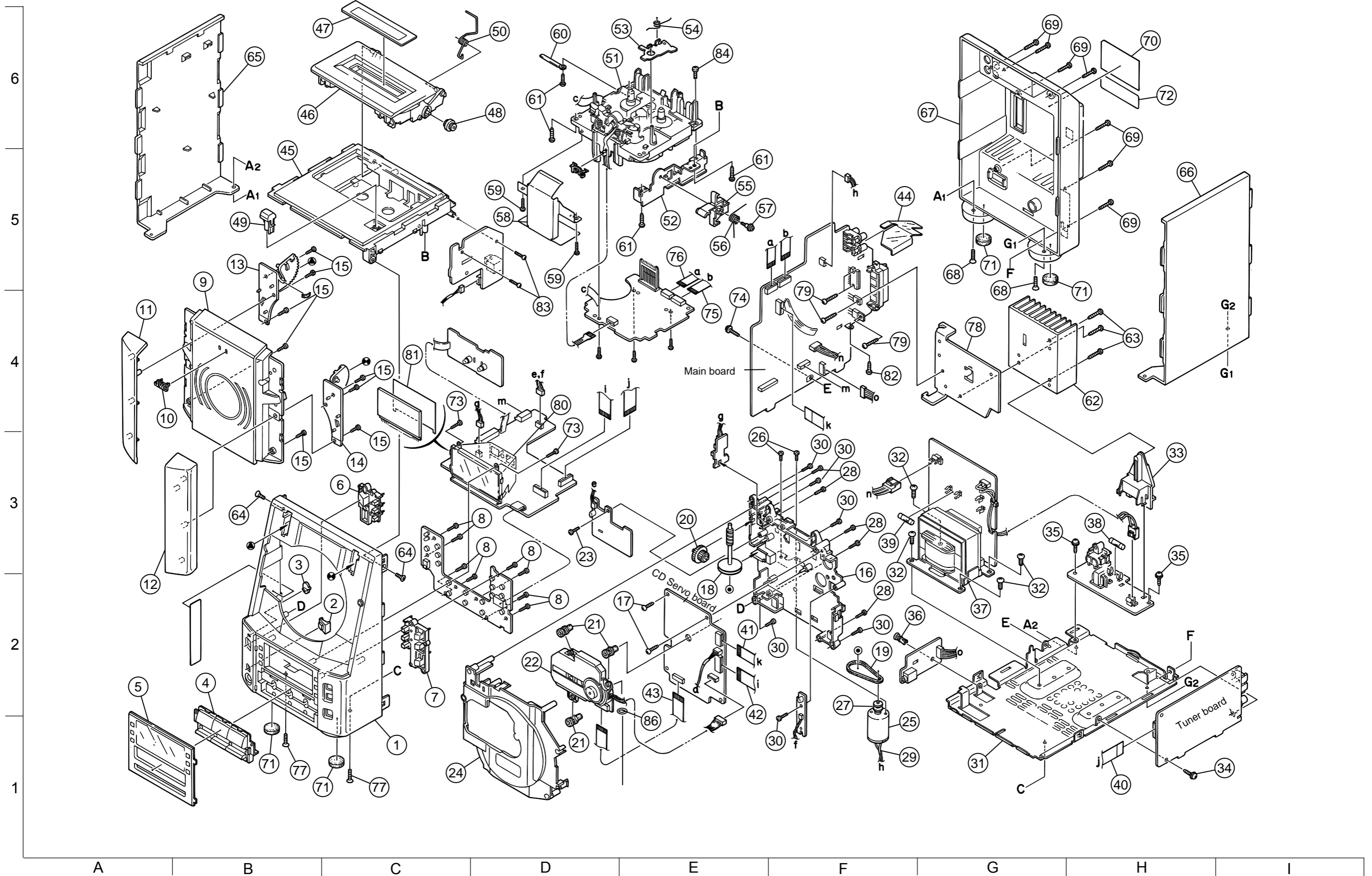
- Contents -

Exploded view of general assembly and parts list	3- 3
Cassette mechanism and parts list	3- 5
Electrical parts list	3-10
Packing materials and accessories parts list	3-21

<<MEMO>>

Exploded view of general assembly and parts list

Block No. M 1 M M



■ Parts list (General assembly)

Block No. M1MM

△	Item	Parts number	Parts name	Q'ty	Description	Area
	1	GV10020-018A	FRONT PANEL	1		
	2	GV40067-001A	REMOTE LENS	1		
	3	GV40068-001A	STANDBY LENS	1		
	4	GV30060-003A	FRONT BUTTON AS	1	F.BTN+FUNC.BTN	
	5	GV40116-002A	FRONT LENS ASSY	1		
	6	GV30063-001A	POWER BUTTON	1		
	7	GV30064-001A	VOLUME BUTTON	1		
	8	QYSDSF2608Z	SCREW	8	SW.PWB+FR.PANEL	
	9	GV20044-012A	CD DOOR LENS	1		
	10	GV40077-001A	JVC BADGE	1		
	11	GV30065-001A	CD DOOR PLATE(L	1		
	12	GV30065-002A	CD DOOR PLATE(R	1		
	13	GV30066-001A	CD DOOR HOLDER	1	DOOR LEFT	
	14	GV30066-002A	CD DOOR HOLDER	1	DOOR RIGHT	
	15	QYSDSF2006M	SCREW	8	CD DOOR ASSY	
	16	GV20046-006A	CD CHASSIS	1		
	17	QYSDSF2608Z	SCREW	2	CD PWB+CD CHASI	
	18	GV40072-003A	WORM PULLEY	1		
	19	GV30038-001A	BELT	1		
	20	GV40071-002A	GEAR	1		
	21	GV40070-002A	INSULATOR	3		
	22	KSM-770ABA	CD MECHA	1		
	23	QYSDSF2608Z	SCREW	1	ILM PWB L+CD CH	
	24	GV20045-005A	CD CASE	1		
	25	MXN-13FB12F	DC MOTOR ASS'Y	1		
	26	QYSPSP3004Z	SCREW	2	MOTOR+CD CHASSI	
	27	VYH7699-001SS	PULLEY	1		
	28	QYSDSF2608Z	SCREW	5	CD CHASSIS+CD C	
	29	WJM0112-001A	MOTOR WIRE	1		
	30	QYSDSF2608Z	SCREW	5	CD CHASSIS+F.PA	
	31	GV10021-001A	BOTTOM CHASSIS	1		
	32	QYSBST4006Z	T.SCREW	4	TRANS+B.CHASSIS	
	33	GV30073-001A	JACK HOLDER	1		
	34	QYSBSTG3006Z	T.SCREW	1	M.BRD+B.CHASSIS	
	35	QYSBSTG3006Z	T.SCREW	2	AC J.PWB+B.CHAS	
	36	FMYH4004-001	PLASTIC RIVET	1	H.P.PWB+B.CHASS	
	37	QQT0284-003	POWER TRANSF.	1		
△	38	QMF51E2-R63-J1	FUSE	1	(F901)	
△	39	QMF51E2-6R3-J1	FUSE	1	(F902)	
	40	QUQ412-0908DJ	FFC WIRE	1	TU TO FMB	
	41	QUQ412-1022CJ	FFC WIRE	1	CD TO MAIN	
	42	QUQ412-1320CJ	FFC WIRE	1	CD TO FMB	
	43	QUQ110-1607BJ	FFC WIRE	1	PICKUP TO CD	
	44	GV40111-001A	PROTECT SHEET	1		
	45	GV10022-001A	TOP COVER	1		
	46	GV20047-001A	CASSETTE DOOR	1		
	47	GV40074-001A	CASSETTE LENS	1		
	48	VYH7366-001MM	GEAR	1		

■ Parts list (General assembly)

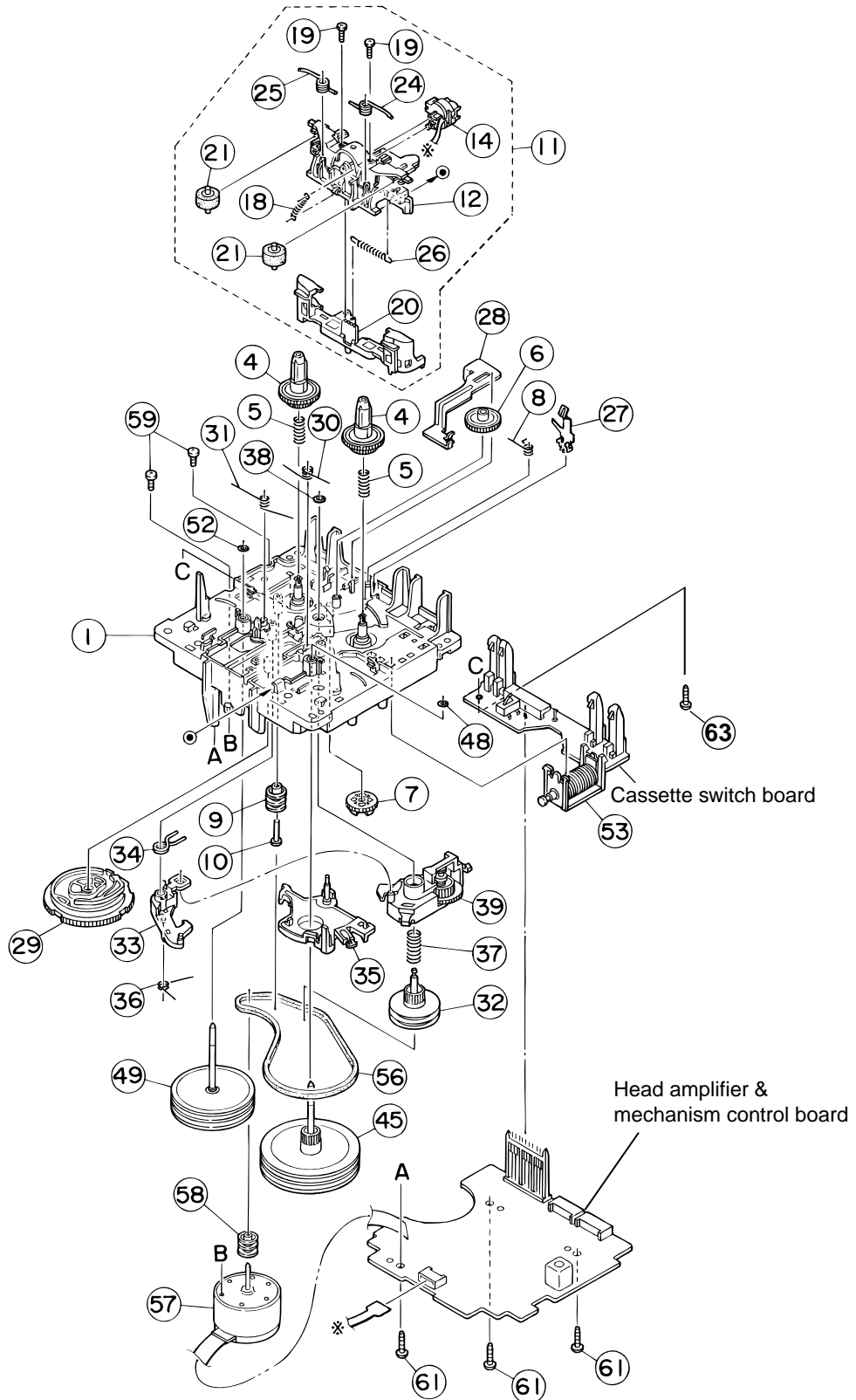
Block No. M1MM

△	Item	Parts number	Parts name	Q'ty	Description	Area
	49	GV40073-001A	EJECT KNOB	1		
	50	GV40085-002A	DOOR SPRING	1		
	51	-----	S.CASSETTE MECH	1		
	52	VYH3965-001	SIDE BRACKET(R)	1		
	53	VKL7850-002	EJECT SAFTY(R)	1		
	54	VKW5258-003	TORSION SPRING	1		
	55	VYH8146-012	EJECT ARM(R)	1		
	56	VKW3006-230	TORSION SPRING	1		
	57	VKZ4341-004	SPECIAL SCREW	1		
	58	GV30071-001A	HEAD SHIELD	1		
	59	QYSBSF2606Z	SCREW	2	H.SHIELD+SLC.ME	
	60	VKZ4001-110S	WIRE HOLDER	1		
	61	QYSBSF3010Z	SCREW	4	SLC + TOP COVER	
	62	GV30068-001A	HEAT SINK	1		
	63	QYSPSF3010Z	TAP SCREW	3	H.SINK+IC HOLDE	
	64	QYSSSF3008Z	SCREW	2	T.COVER+F.PANEL	
	65	GV20048-001A	SIDE PANEL (L)	1		
	66	GV20048-002A	SIDE PANEL (R)	1		
	67	GV10023-009A	REAR PANEL	1		
	68	QYSSST3010Z	SCREW	2		
	69	QYSBSF3010Z	TAP SCREW	7	REAR PANEL	
	70	GV30099-039A	NAME PLATE	1		
	71	GV40091-001A	FOOT	4		
	72	VND4118-004	CAUTION LABEL	1		
	73	QYSDSF2608Z	SCREW	2	L.CASE+F.PANEL	
	74	QYSBSTG3006Z	T.SCREW	1	TUNER PWB+B.CHA	
	75	QUQ412-1024CJ	FFC WIRE	1	SLC TO MAIN	
	76	QUQ412-0924CJ	FFC WIRE	1	SLC TO MAIN	
	77	QYSSST3010Z	SCREW	2	F.PANEL+B.CHASS	
	78	VYH7237-002	I.C.COVER	1		
	79	QYSBSF3010N	TAP SCREW	4	TUNER TER+B.CHA	
	80	GV30070-002A	LAMP CASE	1		
	81	GV40084-002A	L.C.D.SHEET	1		
	82	QYSBSFG3008Z	T.SCREW	1	M.BOARD+ IC HOL	
	83	QYSBSF2606Z	SCREW	2	DC PWB+T.COVER	
	84	QYSBSG3008Z	T.SCREW	1	SLC+SIDE BKT.	
	86	GV40122-002A	FOOT SPACER	1	STICK AT CD MEC	

Cassette mechanism assembly and parts list

Block No. M 2 M M

SLC-S1YPM



■ Parts list (Cassette mechanism)

Block No. M2MM

△	Item	Parts number	Parts name	Q'ty	Description	Area
	1	VKS1165-00G	CHASSIS B.ASS'Y	1		
	4	VKS2274-002	REEL GEAR	2		
	5	VKW5286-002	B.T. SPRING	2		
	6	VKS5559-001	PLAY IDLE GEAR	1		
	7	VKS5597-00A	BUND ASS'Y	1		
	8	VKW5296-001	EARTH SPRING	1		
	9	VKR4749-003	IDLE PULLEY	1		
	10	VKH5786-003	SHAFT	1		
	11	VKS2275-00E	HEAD MOUNT ASSY	1		
	12	VKS1167-003	HEAD MOUNT BASE	1		
	14	LV41089-001A	R/P&E HEAD	1	VKS2275-00B	
	18	VKW5302-001	HEAD SPRING	1		
	19	VKZ4730-001	SPECIAL SCREW	2		
	20	VKS2277-005	DIRECTION LEVER	1		
	21	VKP4233-00A	PINCH ROL. ASSY	2		
	24	VKW5299-002	PIN ROL.SP.(R)	1		
	25	VKW5300-002	PIN ROL.SP.(L)	1		
	26	VKW5285-001	RETURN SPRING	1		
	27	VKY3149-002	CASSETTE SP.	1		
	28	VKM3906-002	PLAY SW LEVER	1		
	29	VKS1166-003	CONTROL CAM	1		
	30	VKW5279-001	HEAD BASE SP(R)	1		
	31	VKW5280-001	HEAD BASE SP(L)	1		
	32	VKS5603-00D	MAIN PULLEY ASY	1		
	33	VKS3785-001MM	FR ARM	1		
	34	VKW5284-002	SWING SPRING	1		
	35	VKS2278-003	TRIGGER ARM	1		
	36	VKW5301-001	FR SPRING	1		
	37	VKW5266-001	ELEVATOR SPRING	1		
	38	WDL214025	WASHER	1		
	39	VKS3786-00G	CLUTCH ASS'Y	1		
	45	VKF3205-00B	F.WHEEL ASSY(R)	1		
	48	WDL183425	SLIT WASHER	1		
	49	VKF3207-00B	F.WHEEL ASSY(L)	1		
	52	WDL173525-6	SLIT WASHER	1		
	53	VKZ3174-00A	DC SOLENOID	1		
	56	VKB3000-181	CAPSTAN BELT	1		
	57	MSI-5U2LWA	D.C.MOTOR ASS'Y	1		
	58	VKR4761-001	MOTOR PULLEY	1		
	59	QYSPSP2604Z	SCREW	2		
	61	QYSBSF2608Z	T.SCREW	3	FOR P.W.B.	
	63	QYSBSF2006Z	SCREW	1		

Grease point 1/3

- Grease
- * EM-30L
 - UD-24
 - ◆ LEN-320M

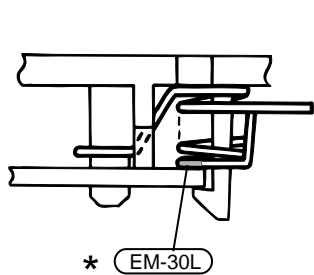


Fig.1

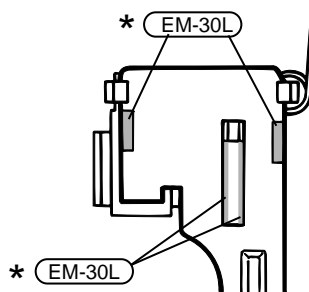


Fig.2

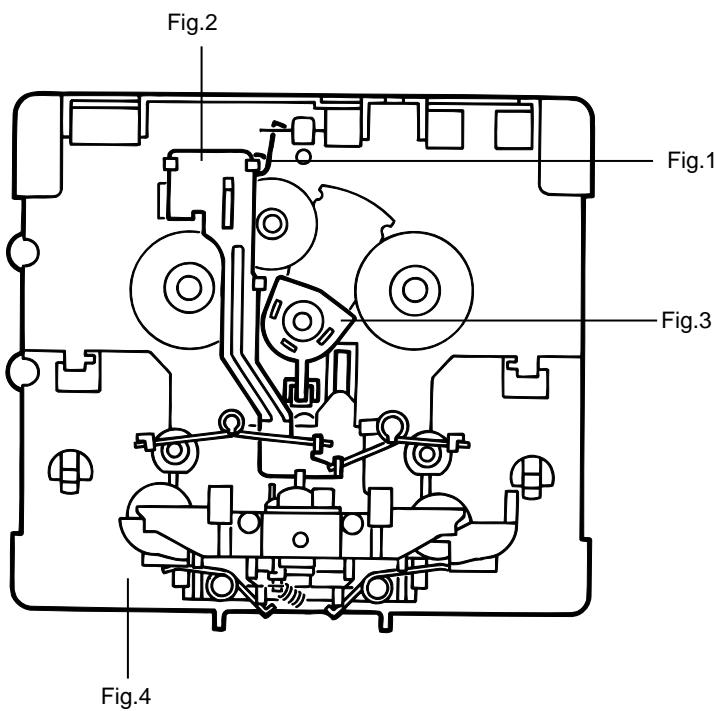


Fig.4

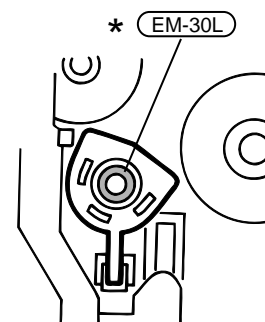


Fig.3

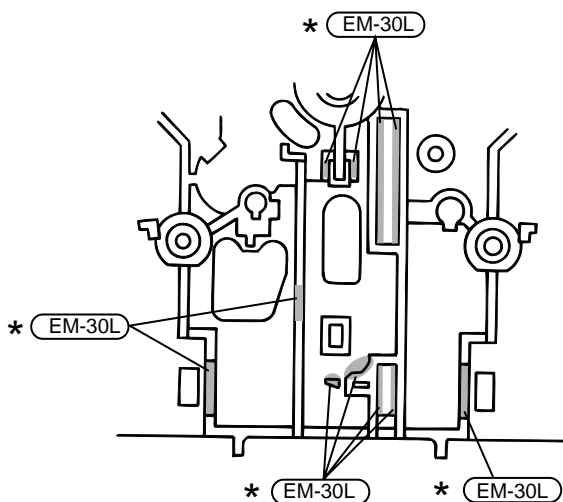


Fig.4

(Remove the Head mount Ass'y on the Chasis Base)

Grease point 2/3

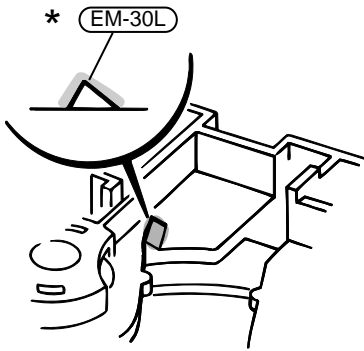


Fig.5

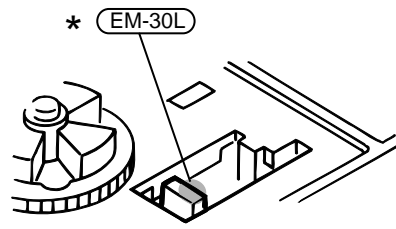


Fig.1

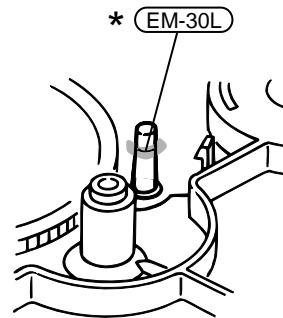
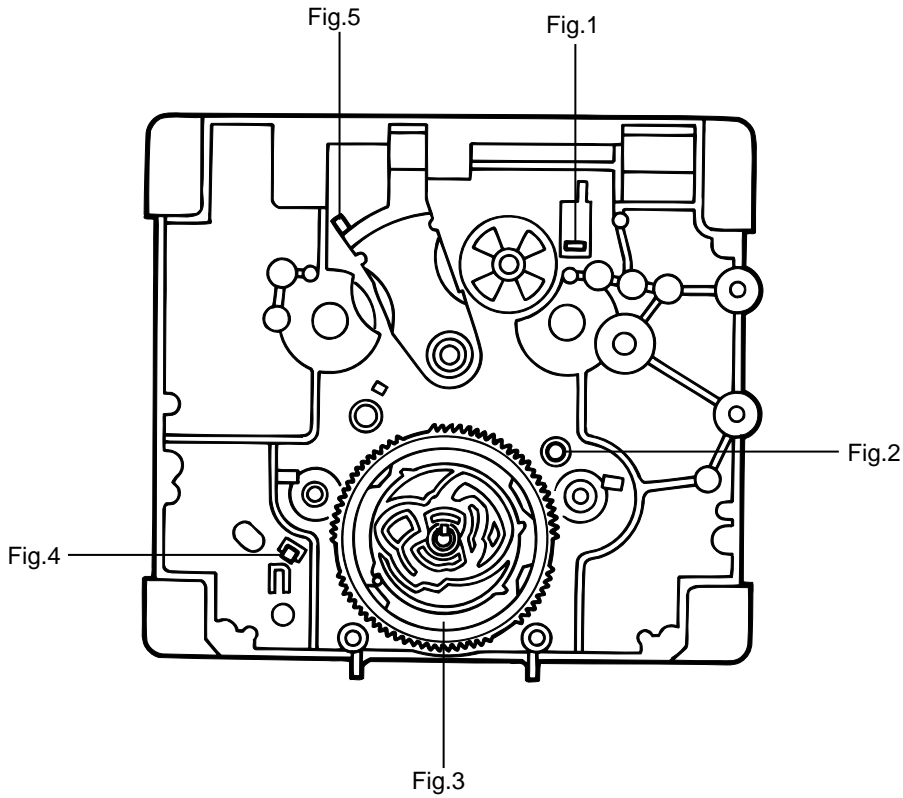


Fig.2

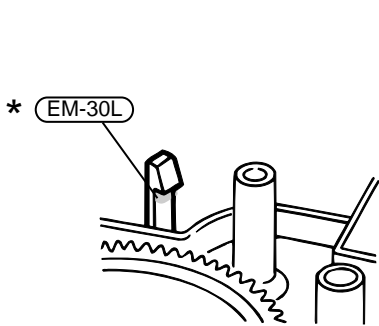


Fig.4

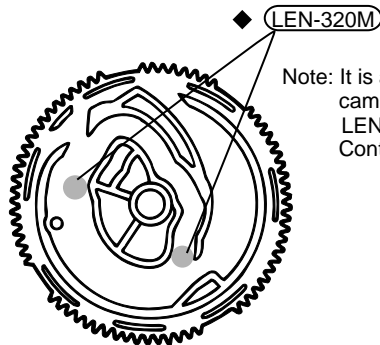


Fig.3

Note: It is a putting up of the control cam to UD-24H(Hanarl) and LEN-320M(Grease)dipping on the Control cam

Grease point 3/3

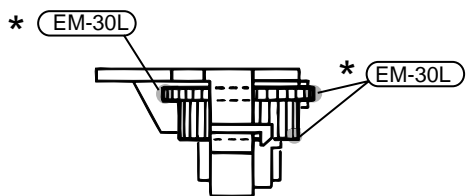


Fig.1

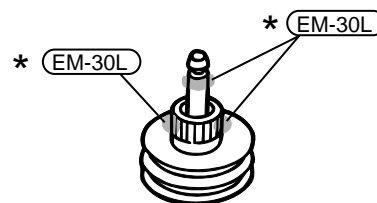


Fig.2

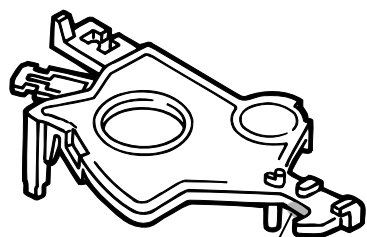
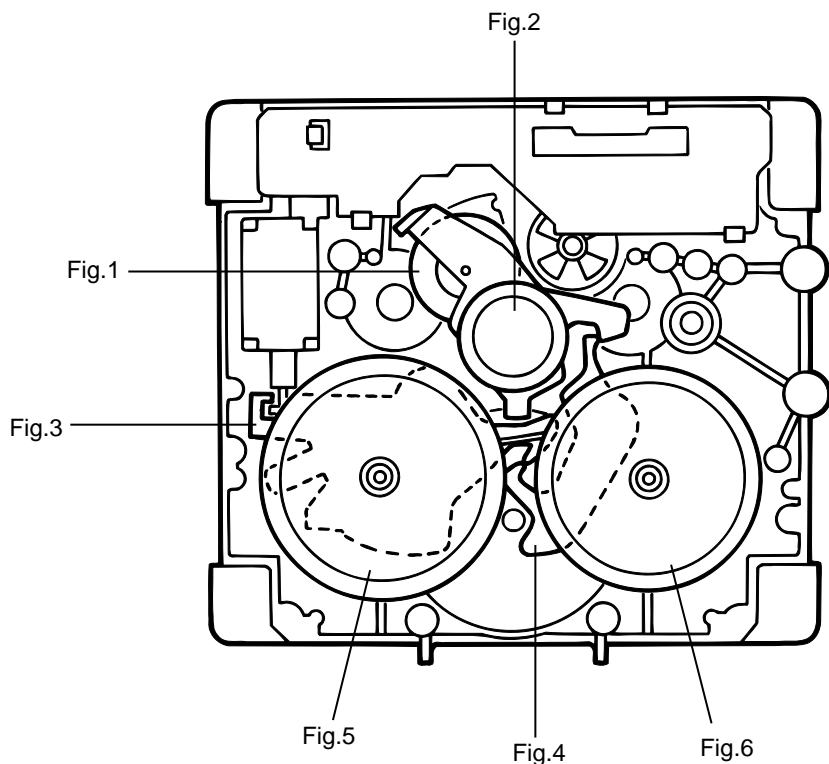


Fig.3

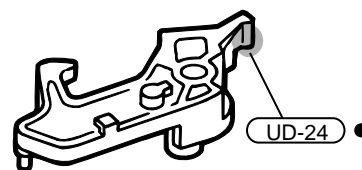


Fig.4

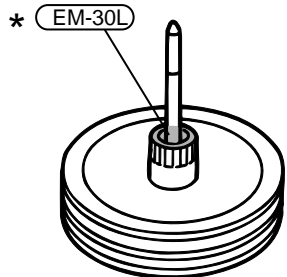


Fig.5

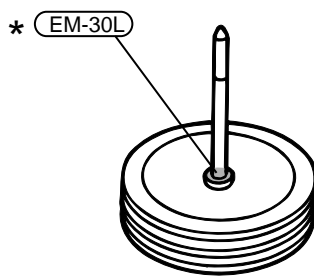


Fig.6

■ Electrical parts list (Main board)

Block No. 01

△	Item	Parts number	Parts name	Remarks	Area	△	Item	Parts number	Parts name	Remarks	Area
	C 901	QFLK1HJ-104Z	TF CAPACITOR	.10MF 5% 50V			C3104	QETC1AM-336Z	E CAPACITOR	33MF 20% 10V	
	C 902	QFVF1HJ-104Z	MF CAPACITOR	.10MF 5% 50V			C3105	QETN1HM-225Z	E CAPACITOR	2.2MF 20% 50V	
	C 903	QFLK1HJ-104Z	TF CAPACITOR	.10MF 5% 50V			C3150	QETN1EM-106Z	E CAPACITOR	10MF 20% 25V	
	C 904	QFLK1HJ-104Z	MF CAPACITOR	.10MF 5% 50V			C3300	QETN1CM-476Z	E CAPACITOR	47MF 20% 16V	
	C 906	QFLM1HJ-104Z	MF CAPACITOR	.10MF 5% 50V			C3301	QETN1AM-476Z	E CAPACITOR	47MF 20% 10V	
	CN301	QGB1214J1-20S	CONNECTOR	MICON			C3400	QETN1HM-105Z	E CAPACITOR	1.0MF 20% 50V	
	CN302	QGB1214J1-14S	CONNECTOR	MICON			C3401	QETN1HM-105Z	E CAPACITOR	1.0MF 20% 50V	
	CN303	QGF1205C1-10	CONNECTOR	CD			C3402	QFLC1HJ-563Z	TF CAPACITOR	.056MF 5% 50V	
	CN304	QGF1205F1-09	CONNECTOR	SLC			C3403	QFLC1HJ-563Z	TF CAPACITOR	.056MF 5% 50V	
	CN305	QGF1205F1-10	CONNECTOR	SLC			C3404	QETN1HM-105Z	E CAPACITOR	1.0MF 20% 50V	
	CN306	QGA2501C1-05	5P CONNECTOR	HEADPHONE			C3405	QETN1CM-106Z	E CAPACITOR	10MF 20% 16V	
	CN307	QGA2501C1-02	2P CONNECTOR	CD DOOR			C3406	QETN1HM-105Z	E CAPACITOR	1.0MF 20% 50V	
	CN309	QGA2501F1-03	CONNECTOR	OPTICAL			C3500	QETN1CM-107Z	E.CAPACITOR	100MF 20% 16V	
△	CN901	QGA7901C1-02	CONNECTOR				C3501	QETN1EM-106Z	E.CAPACITOR	10MF 20% 25V	
	CN902	QGA3901C1-03	3P CONNECTOR				C3502	QDYB1CM-103Y	C.CAPACITOR		
	C1101	QCBB1HK-331Y	C CAPACITOR	330PF 10% 50V			C3504	QDGB1HK-102Y	C CAPACITOR		
	C1102	QFLM1HJ-104Z	M CAPACITOR	.10MF 5% 50V			C3505	QDGB1HK-102Y	C CAPACITOR		
	C1103	QFLM1HJ-104Z	MF CAPACITOR	.10MF 5% 50V			C3506	QDGB1HK-102Y	C CAPACITOR		
	C1104	QTE1V06-106Z	E CAPACITOR				C3507	QDGB1HK-102Y	C CAPACITOR		
	C1150	QDGB1HK-102Y	C CAPACITOR				C3700	QETN1HM-684Z	E CAPACITOR	.68MF 20% 50V	
	C1300	QFLM1HJ-823Z	M CAPACITOR	.082MF 5% 50V			C3800	EETC1HM-105ZJC	E.CAPA. I.M		
	C1301	QFLM1HJ-823Z	M CAPACITOR	.082MF 5% 50V			C9001	EETC1CM-227ZJC	E CAPACITOR	22MF 20% 16V	
	C1302	QTE1C06-226Z	E CAPACITOR				C9002	QDYB1CM-103Y	C.CAPACITOR		
	C1303	QFVJ1HJ-274Z	MF CAPACITOR	.33MF 5% 50V			C9003	QDXB1CM-222Y	C.CAPA IM		
	C1500	QETN1EM-106Z	E CAPACITOR	10MF 20% 25V			C9201	QETN1CM-476Z	E CAPACITOR	47MF 20% 16V	
	C1501	QFLM1HJ-272Z	M CAPACITOR	3900PF 5% 50V			C9202	QDYB1CM-103Y	C.CAPACITOR		
	C1502	EETC1HM-475ZJC	E CAPACITOR	4.7MF 20% 50V			C9203	QTE1V06-106Z	E CAPACITOR	10MF 20% 16V	
	C1503	QTE1V06-106Z	E CAPACITOR				C9302	QEKC1HM-475Z	E.CAPACITOR	4.7MF 20% 50V	
	C1504	QFVF1HJ-104Z	MF CAPACITOR	.10MF 5% 50V			C9303	QEKC1AM-107Z	E.CAPACITOR	100MF 20% 10V	
	C1505	QFVF1HJ-104Z	MF CAPACITOR	.10MF 5% 50V			C9401	EEKC1AM-227ZJC	E CAPACITOR	220MF 20% 10V	
	C1506	QFLM1HJ-272Z	M CAPACITOR	2700PF 5% 50V			C9402	EEKC1AM-107ZJC	E CAPACITOR		
	C1507	EETC1HM-475ZJC	E CAPACITOR	4.7MF 20% 50V			C9403	QDYB1CM-103Y	C.CAPACITOR		
	C1508	EETC1HM-475ZJC	E.CAPA. I.M				C9501	EETC1AM-477ZJC	E CAPACITOR	470MF 20% 10V	
	C1510	QETN1EM-475Z	E CAPACITOR	4.7MF 20% 25V			C9502	QEKC1AM-476Z	E.CAPACITOR	47MF 20% 10V	
	C1600	QCBB1HK-221Y	C CAPACITOR	220PF 10% 50V			C9600	QDYB1CM-103Y	C.CAPACITOR		
	C1700	QCBB1HK-221Y	C CAPACITOR	220PF 10% 50V			C9601	EETC1HM-107ZJC	E CAPACITOR		
	C1800	QETN1EM-475Z	E CAPACITOR	4.7MF 20% 25V			C9602	EETC1HM-106ZJC	E CAPACITOR	10MF 20% 50V	
	C2101	QCBB1HK-331Y	C CAPACITOR	330PF 10% 50V			C9603	EETC1HM-106ZJC	E.CAPA. I.M		
	C2102	QFLM1HJ-104Z	M CAPACITOR	.10MF 5% 50V		△	D 901	6A10E2	SI DIODE		
	C2103	QFLM1HJ-104Z	MF CAPACITOR	.10MF 5% 50V		△	D 902	6A10E2	SI DIODE		
	C2104	QTE1V06-106Z	E CAPACITOR			△	D 903	6A10E2	SI DIODE		
	C2150	QDGB1HK-102Y	C CAPACITOR			△	D 904	6A10E2	SI DIODE		
	C2300	QFLM1HJ-823Z	M CAPACITOR	.082MF 5% 50V			D 906	1SR35-400A-T5	DIODE I/M		
	C2301	QFLM1HJ-823Z	M CAPACITOR	.082MF 5% 50V			D3300	MTZJ4.3B-T2	ZENER DIODE		
	C2302	QTE1C06-226Z	E CAPACITOR				D3400	1SS133-T2	SI DIODE		
	C2303	QFVJ1HJ-274Z	MF CAPACITOR	.27MF 5% 50V			D3401	1SS133-T2	SI DIODE		
	C2500	QETN1EM-106Z	E CAPACITOR	10MF 20% 25V			D3402	1SS133-T2	SI DIODE		
	C2501	QFLM1HJ-272Z	M CAPACITOR	3900PF 5% 50V			D3403	1SS133-T2	SI DIODE		
	C2502	EETC1HM-475ZJC	E CAPACITOR	4.7MF 20% 50V			D3504	1SS133-T2	SI DIODE		
	C2503	QTE1V06-106Z	E CAPACITOR				D3505	1SS133-T2	SI DIODE		
	C2504	QFVF1HJ-104Z	MF CAPACITOR	.10MF 5% 50V			D3800	MTZJ6.8B-T2	ZENER DIODE		
	C2505	QFVF1HJ-104Z	MF CAPACITOR	.10MF 5% 50V			D9001	1SS133-T2	SI DIODE		
	C2506	QFLM1HJ-272Z	M CAPACITOR	2700PF 5% 50V			D9002	MTZJ8.2C-T2	ZENER DIODE		
	C2507	EETC1HM-475ZJC	E CAPACITOR	4.7MF 20% 50V			D9003	MTZJ10A-T2	ZENER DIODE		
	C2508	EETC1HM-475ZJC	E.CAPA. I.M				D9101	1SR35-400A-T5	SI.DIODE		
	C2510	QETN1EM-475Z	E CAPACITOR	4.7MF 20% 25V			D9201	MTZJ5.1C-T2	ZENER DIODE		
	C2600	QCBB1HK-221Y	C CAPACITOR	220PF 10% 50V			D9301	MTZJ3.9B-T2	Z DIODE IM		
	C2700	QCBB1HK-221Y	C CAPACITOR	220PF 10% 50V			D9302	1SS133-T2	SI DIODE		
	C2800	QETN1EM-475Z	E CAPACITOR	4.7MF 20% 25V			D9303	1SS133-T2	SI DIODE		
△	C3100	QETM1EM-828	E CAPACITOR	8200MF 20% 25V			D9402	MTZJ6.2A-T2	Z.DIODE IDM		
	C3101	QFLM1HJ-104Z	MF CAPACITOR	.10MF 5% 50V			D9501	1SS133-T2	SI DIODE		
	C3102	EEKC1AM-107ZJC	E CAPACITOR				D9502	1SS133-T2	SI DIODE		
	C3103	QETN1CM-107Z	E CAPACITOR	100MF 20% 16V			D9503	MTZJ5.1B-T2	ZENER DIODE		

■ Electrical parts list (Main board)

Block No. 01

△	Item	Parts number	Parts name	Remarks	Area	△	Item	Parts number	Parts name	Remarks	Area
	D9504	MTZJ9.1C-T2	Z DIODE I/M				R1401	QRE141J-223Y	C RESISTOR	22K 5% 1/4W	
	D9600	MTZJ27B-T2	Z. DIODE I/M				R1402	QRE141J-103Y	C RESISTOR	10K 5% 1/4W	
	EP901	QNZ0136-001Z	EARTH PLATE				R1501	QRE141J-512Y	C RESISTOR	5.1K 5% 1/4W	
	EP902	QNZ0136-001Z	EARTH PLATE				R1503	QRE141J-392Y	C RESISTOR	3.9K 5% 1/4W	
	FW900	QUM154-11Z4Z4	FLAT WIRE				R1504	QRE141J-272Y	C RESISTOR	2.7K 5% 1/4W	
△	IC300	LA4628	IC				R1505	QRE141J-272Y	C RESISTOR	2.7K 5% 1/4W	
	IC301	BA15218N	IC				R1600	QRE141J-303Y	C RESISTOR	30K 5% 1/4W	
	IC302	LC75342	IC				R1601	QRE141J-303Y	C RESISTOR	30K 5% 1/4W	
	IC303	LB1641	IC				R1700	QRE141J-221Y	C RESISTOR	220 5% 1/4W	
	J 300	QNB0090-001	SPK TERMINAL				R1701	QRE141J-562Y	C RESISTOR	5.6K 5% 1/4W	
	J 301	QNN0018-001	PIN JACK				R1702	QRE141J-103Y	C RESISTOR	10K 5% 1/4W	
	J 302	QNS0030-001	JACK				R1800	QRE141J-912Y	C RESISTOR	9.1K 5% 1/4W	
	J 303	GP1FA550TZ	OPT TRANSMITTER				R1801	QRE141J-272Y	C RESISTOR	2.7K 5% 1/4W	
△	J 901	QNC0006-001	AC SOCKET				R1802	QRE141J-222Y	C RESISTOR	2.2K 5% 1/4W	
	K3800	QUY150-050Y	BUS WIRE				R1803	QRE141J-622Y	C RESISTOR	6.2K 5% 1/4W	
	K9100	QUY150-050Y	FERRITE BEADS				R2100	QRE141J-2R2Y	C RESISTOR	2.2 5% 1/4W	
	K9401	QUY150-050Y	BUS WIRE				R2101	QRE141J-2R2Y	C RESISTOR	2.2 5% 1/4W	
△	L 901	QQR1145-001	LINE FILTER	EMC FILTER			R2102	QRE141J-471Y	C RESISTOR	470 5% 1/4W	
	L9401	QUY150-050Y	INDUCTOR				R2150	QRE141J-472Y	C RESISTOR	4.7K 5% 1/4W	
	PP900	QZW0038-001	WIRE CLAMP				R2151	QRE141J-472Y	C RESISTOR	4.7K 5% 1/4W	
	Q1150	2SC3576-JVC-T	TRANSISTOR				R2200	QRE141J-151Y	C RESISTOR	150 5% 1/4W	
	Q1400	KTC3199/GL/-T	TRANSISTOR				R2300	QRE141J-224Y	C RESISTOR	220K 5% 1/4W	
	Q1700	2SC3576-JVC-T	TRANSISTOR I/M				R2301	QRE141J-202Y	C RESISTOR	1.8K 5% 1/4W	
	Q1800	KTC3199/GL/-T	TRANSISTOR				R2302	QRE141J-222Y	C RESISTOR	2.0K 5% 1/4W	
	Q2150	2SC3576-JVC-T	TRANSISTOR				R2303	QRE141J-153Y	C RESISTOR	15K 5% 1/4W	
	Q2400	KTC3199/GL/-T	TRANSISTOR				R2304	QRE141J-153Y	C RESISTOR	15K 5% 1/4W	
	Q2700	2SC3576-JVC-T	TRANSISTOR I/M				R2305	QRE141J-682Y	C RESISTOR	6.8K 5% 1/4W	
	Q2800	KTC3199/GL/-T	TRANSISTOR				R2306	QRE141J-512Y	C RESISTOR	4.7K 5% 1/4W	
	Q3150	KRA101M-T	TR I/M				R2307	QRE141J-182Y	C RESISTOR	3.6K 5% 1/4W	
	Q3700	KTC3199/GL/-T	TRANSISTOR				R2400	QRE141J-223Y	C RESISTOR	22K 5% 1/4W	
	Q3800	KRA101M-T	TR I/M				R2401	QRE141J-223Y	C RESISTOR	22K 5% 1/4W	
△	Q9001	KTA1046/Y/	TRANSISTOR *				R2402	QRE141J-103Y	C RESISTOR	10K 5% 1/4W	
	Q9002	KTC3199/GL/-T	TRANSISTOR				R2501	QRE141J-512Y	C RESISTOR	5.1K 5% 1/4W	
	Q9003	KTA1267/YG/-T	TRANSISTOR				R2503	QRE141J-392Y	C RESISTOR	3.9K 5% 1/4W	
	Q9004	KRC114M-T	TR I.M *				R2504	QRE141J-272Y	C RESISTOR	2.7K 5% 1/4W	
	Q9005	DTA144TS-T	D.TRANSISTOR				R2505	QRE141J-272Y	C RESISTOR	2.7K 5% 1/4W	
	Q9006	KTC3199/GL/-T	TRANSISTOR				R2508	QRE141J-103Y	C RESISTOR	10K 5% 1/4W	
	Q9007	KTC3199/GL/-T	TRANSISTOR				R2600	QRE141J-303Y	C RESISTOR	30K 5% 1/4W	
	Q9201	KTB772/Y/	TRANSISTOR				R2601	QRE141J-303Y	C RESISTOR	30K 5% 1/4W	
	Q9202	KTC3199/GL/-T	TRANSISTOR				R2700	QRE141J-221Y	C RESISTOR	220 5% 1/4W	
	Q9301	KTA1267/YG/-T	TRANSISTOR				R2701	QRE141J-562Y	C RESISTOR	5.6K 5% 1/4W	
	Q9302	KTC3199/GL/-T	TRANSISTOR				R2702	QRE141J-103Y	C RESISTOR	10K 5% 1/4W	
	Q9402	KTC3199/GL/-T	TRANSISTOR				R2800	QRE141J-912Y	C RESISTOR	9.1K 5% 1/4W	
	Q9403	DTC114YS-T	TR I.M				R2801	QRE141J-272Y	C RESISTOR	2.7K 5% 1/4W	
	Q9501	2SD2144S/VW/-T	TRANSISTOR				R2802	QRE141J-222Y	C RESISTOR	2.2K 5% 1/4W	
	Q9600	2SC2001/K/-T	TRANSISTOR				R2803	QRE141J-622Y	C RESISTOR	6.2K 5% 1/4W	
	R 901	QRZ9044-335	COMP.RESISTOR	3.3M 1/0W			R3100	QRE141J-103Y	C RESISTOR	10K 5% 1/4W	
	R 906	QRZ9006-4R7X	F RESISTOR	4.7 1/0W			R3300	QRE141J-101Y	C RESISTOR	100 5% 1/4W	
	R1100	QRE141J-2R2Y	C RESISTOR	2.2 5% 1/4W			R3301	QRE141J-152Y	C RESISTOR	1.5K 5% 1/4W	
	R1101	QRE141J-2R2Y	C RESISTOR	2.2 5% 1/4W			R3400	QRE141J-682Y	C RESISTOR	6.8K 5% 1/4W	
	R1102	QRE141J-471Y	C RESISTOR	470 5% 1/4W			R3401	QRE141J-682Y	C RESISTOR	4.7K 5% 1/4W	
	R1150	QRE141J-472Y	C RESISTOR	4.7K 5% 1/4W			R3402	QRE141J-124Y	C RESISTOR	120K 5% 1/4W	
	R1151	QRE141J-562Y	C RESISTOR	4.7K 5% 1/4W			R3403	QRE141J-154Y	C RESISTOR	150K 5% 1/4W	
	R1200	QRE141J-151Y	C RESISTOR	150 5% 1/4W			R3404	QRE141J-223Y	C RESISTOR	22K 5% 1/4W	
	R1300	QRE141J-224Y	C RESISTOR	220K 5% 1/4W			R3405	QRE141J-513Y	C RESISTOR	51K 5% 1/4W	
	R1301	QRE141J-202Y	C RESISTOR	1.8K 5% 1/4W			R3500	QRE141J-101Y	C RESISTOR	100 5% 1/4W	
	R1302	QRE141J-222Y	C RESISTOR	2.0K 5% 1/4W			R3501	QRE141J-222Y	C RESISTOR	2.2K 5% 1/4W	
	R1303	QRE141J-153Y	C RESISTOR	15K 5% 1/4W			R3502	QRE141J-222Y	C RESISTOR	2.2K 5% 1/4W	
	R1304	QRE141J-153Y	C RESISTOR	15K 5% 1/4W			R3503	QRE141J-222Y	C RESISTOR	2.2K 5% 1/4W	
	R1305	QRE141J-682Y	C RESISTOR	3.0K 5% 1/4W			R3700	QUY150-050Y	C RESISTOR	10K 5% 1/4W	
	R1306	QRE141J-512Y	C RESISTOR	5.1K 5% 1/4W			R9001	QRE141J-1R2Y	C RESISTOR	1.0 5% 1/4W	
	R1307	QRE141J-182Y	C RESISTOR	3.6K 5% 1/4W			R9002	QRE141J-1R2Y	C RESISTOR	1.2 5% 1/4W	
	R1400	QRE141J-223Y	C RESISTOR	22K 5% 1/4W			R9003	QRE141J-1R2Y	C RESISTOR	1.0 5% 1/4W	

■ Electrical parts list (Main board)

Block No. 01

△	Item	Parts number	Parts name	Remarks	Area
	R9004	QRE141J-471Y	C RESISTOR	470 5% 1/4W	
	R9005	QRE141J-152Y	C RESISTOR	1.5K 5% 1/4W	
	R9006	QRE141J-272Y	C RESISTOR	2.7K 5% 1/4W	
	R9007	QRE141J-681Y	C RESISTOR	680 5% 1/4W	
	R9008	QRE141J-682Y	C RESISTOR	6.8K 5% 1/4W	
△	R9009	QRZ9005-680X	F.RES I/M	68 1/0W	
△	R9010	QRZ9005-680X	F.RES I/M	68 1/0W	
△	R9011	QRZ9005-680X	F.RES I/M	68 1/0W	
	R9012	QRE141J-472Y	C RESISTOR	4.7K 5% 1/4W	
	R9013	QRE141J-471Y	C RESISTOR	470 5% 1/4W	
	R9014	QRE141J-472Y	C RESISTOR	4.7K 5% 1/4W	
	R9015	QRE141J-472Y	C RESISTOR	4.7K 5% 1/4W	
	R9016	QRE141J-472Y	C RESISTOR	4.7K 5% 1/4W	
	R9017	QRE141J-103Y	C RESISTOR	10K 5% 1/4W	
	R9018	QRE141J-391Y	C RESISTOR	390 5% 1/4W	
△	R9019	QRZ9005-680X	F.RES I/M	68 1/0W	
	R9102	QRZ9006-5R6X	F.RES I/M	5.6 1/0W	
	R9201	QRE141J-103Y	C RESISTOR	10K 5% 1/4W	
	R9202	QRE141J-103Y	C RESISTOR	10K 5% 1/4W	
	R9203	QRE141J-820Y	C RESISTOR	82 5% 1/4W	
	R9301	QUY150-050Y	C RESISTOR	4.7K 5% 1/4W	
	R9302	QRE141J-333Y	C RESISTOR	33K 5% 1/4W	
	R9303	QRE141J-101Y	C RESISTOR	1.0K 5% 1/4W	
	R9304	QRE141J-390Y	C RESISTOR	39 5% 1/4W	
	R9403	QRE141J-100Y	C RESISTOR	10 5% 1/4W	
	R9404	QRE141J-6R8Y	C RESISTOR	6.8 5% 1/4W	
	R9405	QRE141J-391Y	C RESISTOR	390 5% 1/4W	
	R9501	QRE141J-471Y	C RESISTOR	470 5% 1/4W	
	R9502	QRE141J-620Y	C RESISTOR	62 5% 1/4W	
	R9503	QRE141J-620Y	C RESISTOR	62 5% 1/4W	
	R9504	QRE141J-102Y	C RESISTOR	1.0K 5% 1/4W	
	R9600	QRZ9005-100X	F.RES I/M	10 1/0W	
	R9601	QRE141J-222Y	C RESISTOR	2.2K 5% 1/4W	
	R9602	QRE141J-224Y	C RESISTOR	220K 5% 1/4W	
△	S 901	QSW0740-001	VOLTAGE SWITCH		
	W 300	QJK015-031102	WIRE	SECONDARY	
	W 301	QJK017-051400	WIRE		
△	W 901	WJK0070-001A	WIRE		
△	Z 901	QNG0020-001Z	FUSE CLIP		
△	Z 902	QNG0020-001Z	FUSE CLIP		
△	Z 903	QNG0020-001Z	FUSE CLIP		
△	Z 904	QNG0020-001Z	FUSE CLIP		

■ Electrical parts list (Micon board & regurator) Block No. 02

△	Item	Parts number	Parts name	Remarks	Area	△	Item	Parts number	Parts name	Remarks	Area
	BL801	QLL0050-002	LAMP	BLUE LAMP			D8205	MTZJ10C-T2	Z.DIODE I.M		
	BL802	QLL0050-002	LAMP	BLUE LAMP			D8206	MTZJ10C-T2	Z.DIODE I.M		
	CN711	QGB1214K1-14S	CONNECTOR	TO MAIN PWB			D8601	1SS133-T2	SI DIODE		
	CN712	QGB1214K1-20S	CONNECTOR	TO MAIN PWB			D8602	1SS133-T2	SI DIODE		
	CN721	QGA2001C1-03	3P PLUG ASSY	TO CD DOOR SW P			D8603	1SS133-T2	SI DIODE		
	CN722	QGA2001C1-04	4P PLUG ASSY	TO ILLUMI PWB(R			IC701	UPD78064GF-172	IC	SYSTEM MICOM	
	CN732	QGF1205C1-09	CONNECTOR				IC703	KIA78S06P-T	IC	US6V REG	
	CN766	QGF1205C1-13	CONNECTOR	TO CD PWB			IC801	GP1U261X	IR DETECT UNIT		
	CN781	QGB1216J1-08S	CONNECTOR	TO FRONT SW PWB			K7001	NQR0006-001X	FERRITE BEAD	ICVSS	
	CN881	QGB1216K1-08S	CONNECTOR				K7002	NQR0006-001X	FERRITE BEAD	AVSS	
	C7001	NCS21HJ-180X	C CAPACITOR	CLOCK			K7004	NQR0006-001X	FERRITE BEAD	SW GND	
	C7002	NCS21HJ-180X	C CAPACITOR	CLOCK			K7005	NQR0006-001X	FERRITE BEAD	VSS	
	C7004	NCS21HJ-360X	C CAPACITOR	MAIN CLOCK SHIF			L7002	QQL231K-100Y	INDUCTOR	US5V	
	C7005	NCS21HJ-390X	C CAPACITOR	MAIN CLOCK SHIF			L7003	QQL231K-470Y	INDUCTOR	AVDD & VDD	
	C7006	NCS21HJ-200X	C CAPACITOR	MAIN CLOCK			L7005	QQL231K-4R7Y	INDUCTOR	AVREF	
	C7007	NCS21HJ-220X	C CAPACITOR	MAIN CLOCK			PP701	QZW0038-001	POST PIN		
	C7008	NCB21HK-102X	C CAPACITOR				Q7001	2SC2668/O/-T	TRANSISTOR	CLOCK SHIFT	
	C7009	NCB21HK-102X	C CAPACITOR				Q7002	2SC2668/O/-T	TRANSISTOR	CLOCK SHIFT	
	C7011	EEKC1AM-107ZJC	E.CAPACITOR	100MF 20% 10V			Q7031	2SA1037AK/RS/-X	TRANSISTOR	SW5V	
	C7012	NCB21HK-103X	C CAPACITOR				Q7051	DTC114TKA-X	TRANSISTOR	RESET SW	
	C7013	QFVF1HJ-104Z	MF CAPACITOR	.10MF 5% 50V			Q7061	2SC2412K/R/-X	TRANSISTOR	BACKUP CONT	
	C7014	EETC1CM-106ZJC	E CAPACITOR	10MF 20% 16V			Q7091	2SC2412K/R/-X	TRANSISTOR	POUT DRIVER	
	C7031	EETB0JM-228JC	E CAPACITOR	BACKUP CAPACITO			Q7601	DTC144TKA-X	TRANSISTOR		
	C7051	QETN1HM-684Z	E CAPACITOR	.68MF 20% 50V			Q7602	DTC144TKA-X	TRANSISTOR		
	C7052	EETC1HM-225ZJC	E CAPACITOR	2.2MF 20% 50V			Q7603	2SC2412K/R/-X	TRANSISTOR		
	C7081	NCB21CK-104X	C.CAPA. C.M	AM LCD NOISE			Q7604	2SA933S/RS/-T	TRANSISTOR		
	C7601	NCS21HJ-151X	C CAPACITOR				Q8001	DTC114TKA-X	TRANSISTOR		
	C7602	NCS21HJ-151X	C CAPACITOR				Q8601	DTC144EKA-X	TRANSISTOR		
	C7623	NCS21HJ-101X	C CAPACITOR				Q8602	2SA1037AK/RS/-X	TRANSISTOR		
	C7624	NCS21HJ-101X	C CAPACITOR				R7005	NRSA02J-822X	MG RESISTOR		
	C7633	NCB21HK-102X	C CAPACITOR				R7006	NRSA02J-822X	MG RESISTOR		
	C7641	NCS21HJ-151X	C CAPACITOR				R7031	NRSA02J-331X	MG RESISTOR		
	C7701	NCS21HJ-151X	C CAPACITOR				R7032	NRSA02J-103X	MG RESISTOR		
	C7702	NCS21HJ-151X	C CAPACITOR				R7033	NRSA02J-102X	MG RESISTOR		
	C7704	NCS21HJ-101X	C CAPACITOR				R7051	NRSA02J-103X	MG RESISTOR		
	C7801	NCB21HK-103X	CER.CAPACITOR-M				R7052	NRSA02J-103X	MG RESISTOR		
	C7802	NCB21HK-103X	C CAPACITOR	MICOM NOISE			R7061	NRSA02J-333X	MG RESISTOR		
	C7803	NCB21HK-102X	C CAPACITOR				R7062	NRSA02J-473X	MG RESISTOR		
	C7804	NCB21HK-103X	C CAPACITOR				R7063	NRSA02J-104X	MG RESISTOR		
	C7809	NCB21HK-102X	C CAPACITOR				R7081	NRSA02J-104X	MG RESISTOR		
	C7810	NCB21HK-103X	C CAPACITOR				R7082	NRSA02J-104X	MG RESISTOR		
	C8001	NCB21HK-102X	C CAPACITOR				R7083	NRSA02J-104X	MG RESISTOR		
	C8002	QEK41CM-476	E.CAPACITOR	47MF 20% 16V			R7084	NRSA02J-273X	MG RESISTOR		
	C8003	NCB21HK-103X	C CAPACITOR				R7429	NRSA02J-913X	MG RESISTOR		
	C8004	NCB21HK-103X	C CAPACITOR				R7430	NRSA02J-102X	MG RESISTOR		
	C8601	QEKC1AM-107Z	E.CAPACITOR	100MF 20% 10V			R7528	NRSA02J-223X	MG RESISTOR		
	DI701	QLD0119-001	LCD	44 PIN LCD			R7529	NRSA02J-473X	MG RESISTOR		
	D7001	1SS133-T2	SI DIODE	US5V			R7530	NRSA02J-103X	MG RESISTOR		
	D7011	MTZJ8.2B-T2	DIODE	SHORT HOGO			R7602	NRSA02J-102X	MG RESISTOR		
	D7012	1SS133-T2	SI DIODE	SHORT HOGO			R7614	NRSA02J-103X	MG RESISTOR		
	D7013	1SS133-T2	SI DIODE				R7619	NRSA02J-122X	MG RESISTOR		
	D7014	MTZJ6.8B-T2	NER DIODE				R7620	NRSA02J-102X	MG RESISTOR		
	D7031	1SS133-T2	SI DIODE	BACK UP			R7621	NRSA02J-122X	MG RESISTOR		
	D7032	1SS133-T2	SI DIODE	CLOCK			R7622	NRSA02J-102X	MG RESISTOR		
	D7051	1SS133-T2	SI DIODE	RESET			R7625	NRSA02J-823X	MG RESISTOR		
	D7061	MTZJ5.1C-T2	ZENER DIODE	BACK UP CONT.			R7628	NRSA02J-823X	MG RESISTOR		
	D7091	1SS133-T2	SI DIODE	US5V			R7629	NRSA02J-103X	MG RESISTOR		
	D7092	1SS133-T2	SI DIODE	5V-REMCON&STBLE			R7630	NRSA02J-563X	MG RESISTOR		
	D8001	1SS133-T2	SI DIODE				R7631	NRSA02J-104X	MG RESISTOR		
	D8002	SLR-342VC-T	LED				R7632	NRSA02J-103X	MG RESISTOR		
	D8003	SLR-342MC-T	LED				R7633	NRSA02J-103X	MG RESISTOR		
	D8201	SELU1E56BM	LED				R7634	NRSA02J-103X	MG RESISTOR		
	D8202	SELU1E56BM	LED				R7635	NRSA02J-104X	MG RESISTOR		

■ Electrical parts list (Micon board & regulator) Block No. 02

△	Item	Parts number	Parts name	Remarks	Area
	R7639	NRSA02J-222X	MG RESISTOR		
	R7641	NRSA02J-102X	MG RESISTOR		
	R7642	NRSA02J-102X	MG RESISTOR		
	R7647	NRSA02J-104X	MG RESISTOR		
	R7648	NRSA02J-394X	MG RESISTOR		
	R7649	NRSA02J-823X	MG RESISTOR		
	R7651	NRSA02J-473X	MG RESISTOR		
	R7652	NRSA02J-473X	MG RESISTOR		
	R7653	NRSA02J-394X	MG RESISTOR		
	R7654	NRSA02J-182X	MG RESISTOR		
	R7655	NRSA02J-102X	MG RESISTOR		
	R7701	NRSA02J-102X	MG RESISTOR		
	R7702	NRSA02J-102X	MG RESISTOR		
	R7703	NRSA02J-102X	MG RESISTOR		
	R7704	NRSA02J-103X	MG RESISTOR		
	R7705	NRSA02J-102X	MG RESISTOR		
	R7711	NRSA02J-222X	MG RESISTOR		
	R7712	NRSA02J-102X	MG RESISTOR		
	R7713	NRSA02J-222X	MG RESISTOR		
	R7715	NRSA02J-222X	MG RESISTOR		
	R7716	NRSA02J-222X	MG RESISTOR		
	R7717	NRSA02J-472X	MG RESISTOR		
	R7718	NRSA02J-102X	MG RESISTOR		
	R7719	NRSA02J-102X	MG RESISTOR		
	R7720	NRSA02J-102X	MG RESISTOR		
	R7721	NRSA02J-102X	MG RESISTOR		
	R7722	NRSA02J-102X	MG RESISTOR		
	R7723	NRSA02J-222X	MG RESISTOR		
	R7724	NRSA02J-222X	MG RESISTOR		
	R7725	NRSA02J-222X	MG RESISTOR		
	R7726	NRSA02J-222X	MG RESISTOR		
	R7728	NRSA02J-222X	MG RESISTOR		
	R7729	NRSA02J-222X	MG RESISTOR		
	R7730	NRSA02J-222X	MG RESISTOR		
	R7731	NRSA02J-222X	MG RESISTOR		
	R7732	NRSA02J-222X	MG RESISTOR		
	R7733	NRSA02J-222X	MG RESISTOR		
	R7734	NRSA02J-222X	MG RESISTOR		
	R7735	NRSA02J-222X	MG RESISTOR		
	R7738	NRSA02J-222X	MG RESISTOR		
	R7739	NRSA02J-222X	MG RESISTOR		
	R7741	NRSA02J-222X	MG RESISTOR		
	R7742	NRSA02J-222X	MG RESISTOR		
	R7743	NRSA02J-222X	MG RESISTOR		
	R7744	NRSA02J-222X	MG RESISTOR		
	R7745	NRSA02J-222X	MG RESISTOR		
	R7746	NRSA02J-302X	MG RESISTOR		
	R7747	NRSA02J-222X	MG RESISTOR		
	R7748	NRSA02J-153X	MG RESISTOR		
	R7749	NRSA02J-123X	MG RESISTOR		
	R7750	NRSA02J-222X	MG RESISTOR		
	R7799	NRSA02J-102X	MG RESISTOR		
	R8001	NRSA02J-102X	MG RESISTOR		
	R8002	NRSA02J-102X	MG RESISTOR		
	R8003	NRSA02J-122X	MG RESISTOR		
	R8005	NRSA02J-473X	M.G.RESISTOR		
	R8011	NRSA02J-102X	MG RESISTOR		
	R8012	NRSA02J-102X	MG RESISTOR		
	R8013	NRSA02J-122X	MG RESISTOR		
	R8014	NRSA02J-152X	MG RESISTOR		
	R8015	NRSA02J-222X	MG RESISTOR		
	R8016	NRSA02J-272X	MG RESISTOR		
	R8017	NRSA02J-392X	MG RESISTOR		

△	Item	Parts number	Parts name	Remarks	Area
	R8018	NRSA02J-562X	MG RESISTOR		
	R8019	NRSA02J-103X	MG RESISTOR		
	R8020	NRSA02J-183X	MG RESISTOR		
	R8021	NRSA02J-433X	MG RESISTOR		
	R8031	NRSA02J-681X	MG RESISTOR		
	R8032	NRSA02J-681X	MG RESISTOR		
	R8201	NRSA02J-471X	MG RESISTOR		
	R8202	NRSA02J-471X	MG RESISTOR		
	R8203	NRSA02J-471X	MG RESISTOR		
	R8204	NRSA02J-471X	MG RESISTOR		
	R8601	QRE141J-223Y	C RESISTOR	22K 5% 1/4W	
	R8602	QRE141J-223Y	C RESISTOR	22K 5% 1/4W	
	R8602	QRE141J-223Y	C RESISTOR	22K 5% 1/4W	
	R8611	QRE141J-102Y	C RESISTOR	1.0K 5% 1/4W	
	R8612	QRE141J-102Y	C RESISTOR	1.0K 5% 1/4W	
	R8621	NRSA02J-104X	MG RESISTOR		
	R8622	NRSA02J-473X	MG RESISTOR		
	R8623	NRSA02J-473X	MG RESISTOR		
	R8631	QRJ146J-3R9X	UNF C.RES I/M	3.9 5% 1/4W	
	S8001	QSW0674-001Z	TACT SW	REVERSE MODE	
	S8002	QSW0674-001Z	TACT SW	REC	
	S8003	QSW0674-001Z	TACT SW	AUX	
	S8004	QSW0674-001Z	TACT SW	POWER	
	S8011	QSW0674-001Z	TACT SW	OPEN/CLOSE	
	S8012	QSW0674-001Z	TACT SW	VOLUME -	
	S8013	QSW0674-001Z	TACT SW	VOLUME +	
	S8014	QSW0674-001Z	TACT SW	AHB PRO	
	S8015	QSW0674-001Z	TACT SW	TIMER	
	S8016	QSW0674-001Z	TACT SW	CLOCK	
	S8017	QSW0674-001Z	TACT SW	CD	
	S8018	QSW0674-001Z	TACT SW	TUNER	
	S8019	QSW0674-001Z	TACT SW	TAPE	
	S8020	QSW0674-001Z	TACT SW	DOWN	
	S8021	QSW0674-001Z	TACT SW	STOP	
	S8022	QSW0674-001Z	TACT SW	UP	
	S8101	QSW0451-001	DETECT SW	OPEN DETECT	
	S8102	QSW0451-001	DETECT SW	CLOSE DETECT	
	W 701	QUM154-12Z4Z4	FLAT WIRE		
	W 821	QJK018-032403	WIRE		
	W 823	WJK0076-001A	E-SI C WIRE C-B	CN722	
	X7001	QAX0401-001	CRYSTAL	SUB CLOCK	
	X7002	QAX0410-001Z	CERA LOCK	MAIN CLOCK	
	X7002	QAX0410-001Z	CERA LOCK	MAIN CLOCK	

■ Electrical parts list (CD board)

Block No. 03

△	Item	Parts number	Parts name	Remarks	Area
	CN601	QGF1201F3-13	CONNECTOR		
	CN602	QGF1201F3-10	CONNECTOR		
	CN603	QGF1016F1-16	FFC/FPC CONNE		
	CN605	QGA2001C1-06	6P PLUG ASSY		
	C6001	QEKC0JM-107Z	E CAPACITOR	100MF 20% 6.3V	
	C6002	QEK41CM-106	E CAPACITOR	10MF 20% 16V	
	C6003	NDC21HJ-3R5X	C CAPACITOR		
	C6005	NCS21HJ-331X	C CAPACITOR		
	C6007	NCB21HK-222X	C CAPACITOR		
	C6008	QEK1HM-105Z	E.CAPACITOR	1.0MF 20% 50V	
	C6009	NCS21HJ-101X	C CAPACITOR		
	C6010	NCB21HK-273X	C CAPACITOR		
	C6011	NCB21HK-222X	C CAPACITOR		
	C6012	NCB21HK-103X	C CAPACITOR		
	C6014	NCB21EK-104X	C CAPACITOR		
	C6015	NCB21HK-223X	C CAPACITOR		
	C6016	NCB21HK-223X	C CAPACITOR		
	C6017	NCB21HK-223X	C CAPACITOR		
	C6018	NCB21HK-222X	C CAPACITOR		
	C6019	NCS21HJ-271X	C CAPACITOR		
	C6020	NCS21HJ-181X	C CAPACITOR		
	C6021	NCS21HJ-821X	C CAPACITOR		
	C6022	QEKC0JM-476Z	E.CAPACITOR	47MF 20% 6.3V	
	C6023	NCB21EK-104X	C CAPACITOR		
	C6028	NCB21EK-473X	C CAPACITOR		
	C6029	QEKC0JM-107Z	E CAPACITOR	100MF 20% 6.3V	
	C6031	EEKC1AM-227ZJC	E CAPACITOR	220MF 20% 10V	
	C6032	QEKC0JM-107Z	E CAPACITOR	100MF 20% 6.3V	
	C6051	NDC21HJ-120X	C CAPACITOR		
	C6052	NDC21HJ-150X	C CAPACITOR		
	C6053	NCB21HK-223X	C CAPACITOR		
	C6055	NCB21EK-473X	C CAPACITOR		
	C6058	NCS21HJ-6R0X	C CAPACITOR		
	C6061	NCS21HJ-471X	C CAPACITOR		
	C6062	NCB21HK-223X	C CAPACITOR		
	C6063	NCB21HK-223X	C CAPACITOR		
	C6064	NCB21HK-223X	C CAPACITOR		
	C6065	NCB21CK-334X	C CAPACITOR		
	C6071	NCB21HK-222X	C CAPACITOR		
	C6072	NCB21HK-222X	C CAPACITOR		
	C6073	EEKC1AM-227ZJC	E CAPACITOR	220MF 20% 10V	
	C6074	EEKC1AM-227ZJC	E CAPACITOR		
	C6075	NCB21HK-102X	C CAPACITOR		
	C6076	NCB21HK-102X	C CAPACITOR		
	C6077	NCB21HK-223X	C CAPACITOR		
	C6080	EEKC1AM-227ZJC	E CAPACITOR	220MF 20% 10V	
	C6081	EEKC1AM-227ZJC	E CAPACITOR		
	C6083	NCB21HK-223X	C CAPACITOR		
	C6089	NCB21HK-472X	C CAPACITOR		
	C6090	NCB21HK-153X	C CAPACITOR		
	C6091	QEKF1HM-105Z	NP E CAPACITOR	1.0MF 20% 50V	
	C6092	QEKF1HM-225Z	E CAPACITOR	2.2MF 20% 50V	
	C6094	NCB21HK-104X	C CAPACITOR		
	C6096	NCS21HJ-391X	C CAPACITOR		
	C6097	NCS21HJ-391X	C CAPACITOR		
	C6098	NCS21HJ-391X	C CAPACITOR		
	C6099	NCS21HJ-391X	C CAPACITOR		
	C6154	NCS21HJ-151X	C CAPACITOR		
	C6156	NCS21HJ-151X	C CAPACITOR		
	C6157	NCS21HJ-151X	C CAPACITOR		
	C6158	NCS21HJ-151X	C CAPACITOR		
	D6061	1SS355-X	DIODE		
	D6062	1SS355-X	DIODE		

△	Item	Parts number	Parts name	Remarks	Area
	D6063	1SS355-X	DIODE		
	IC601	AN8806SB-W	IC		
	IC602	LA6541-X	IC		
	IC603	MN35510AL	IC		
	K6051	QQR0621-001Z	FERRITE BEADS		
	Q6001	2SA1037AK/R/-X	TRANSISTOR		
	Q6031	2SA952/LK/-T	TRANSISTOR		
	R6001	NRSA02J-123X	MG RESISTOR		
	R6002	NRSA02J-225X	MG RESISTOR		
	R6003	NRSA02J-102X	MG RESISTOR		
	R6005	NRSA02J-274X	MG RESISTOR		
	R6006	NRSA02J-473X	MG RESISTOR		
	R6007	NRSA02J-273X	MG RESISTOR		
	R6008	NRSA02J-564X	MG RESISTOR		
	R6009	NRSA02J-563X	MG RESISTOR		
	R6010	NRSA02J-104X	MG RESISTOR		
	R6012	NRSA02J-103X	MG RESISTOR		
	R6013	NRSA02J-121X	MG RESISTOR		
	R6014	NRSA02J-100X	MG RESISTOR		
	R6015	NRSA02J-120X	MG RESISTOR		
	R6016	NRSA02J-910X	MG RESISTOR		
	R6021	NRSA02J-101X	MG RESISTOR		
	R6022	NRSA02J-101X	MG RESISTOR		
	R6023	NRSA02J-101X	MG RESISTOR		
	R6024	NRSA02J-154X	MG RESISTOR		
	R6025	NRSA02J-104X	MG RESISTOR		
	R6026	NRSA02J-393X	MG RESISTOR		
	R6027	NRSA02J-393X	MG RESISTOR		
	R6028	NRSA02J-393X	MG RESISTOR		
	R6029	NRSA02J-393X	MG RESISTOR		
	R6031	NRSA02J-0R0X	MG RESISTOR		
	R6032	NRSA02J-0R0X	MG RESISTOR		
	R6041	NRSA02J-104X	MG RESISTOR		
	R6042	NRSA02J-472X	MG RESISTOR		
	R6043	NRSA02J-392X	MG RESISTOR		
	R6044	NRSA02J-623X	MG RESISTOR		
	R6045	NRSA02J-433X	MG RESISTOR		
	R6046	NRSA02J-0R0X	MG RESISTOR		
	R6047	NRSA02J-332X	MG RESISTOR		
	R6048	NRSA02J-222X	MG RESISTOR		
	R6049	NRSA02J-152X	MG RESISTOR		
	R6050	NRSA02J-332X	MG RESISTOR		
	R6051	NRSA02J-102X	MG RESISTOR		
	R6052	NRSA02J-102X	MG RESISTOR		
	R6053	NRSA02J-102X	MG RESISTOR		
	R6054	NRSA02J-102X	MG RESISTOR		
	R6055	NRSA02J-102X	MG RESISTOR		
	R6056	NRSA02J-0R0X	MG RESISTOR		
	R6057	NRSA02J-0R0X	MG RESISTOR		
	R6058	NRSA02J-0R0X	MG RESISTOR		
	R6059	NRSA02J-471X	MG RESISTOR		
	R6060	NRSA02J-471X	MG RESISTOR		
	R6061	NRSA02J-104X	MG RESISTOR		
	R6063	NRSA02J-124X	MG RESISTOR		
	R6064	NRSA02J-681X	MG RESISTOR		
	R6066	NRSA02J-220X	MG RESISTOR		
	R6067	NRSA02J-220X	MG RESISTOR		
	R6068	NRSA02J-220X	MG RESISTOR		
	R6069	NRSA02J-155X	MG RESISTOR		
	R6071	NRSA02J-102X	MG RESISTOR		
	R6072	NRSA02J-102X	MG RESISTOR		
	R6076	NRSA02J-0R0X	MG RESISTOR		
	R6080	NRSA02J-0R0X	MG RESISTOR		

■ Electrical parts list (CD board)

Block No. 03

△	Item	Parts number	Parts name	Remarks	Area
	R6081	NRSA02J-0R0X	MG RESISTOR		
	R6082	NRSA02J-392X	MG RESISTOR		
	R6121	NRSA02J-101X	MG RESISTOR		
	R6124	NRSA02J-0R0X	MG RESISTOR		
	W 604	QJP001-032001	CONNECTOR		
	X6051	QAX0413-001Z	CRYSTAL		

■ Electrical parts list (Tuner board)

Block No. 04

△	Item	Parts number	Parts name	Remarks	Area	△	Item	Parts number	Parts name	Remarks	Area
	C 1	NCB21HK-223X	C CAPACITOR				IC 2	LC72136N	IC		
	C 2	NCB21HK-103X	C CAPACITOR				J 1	QNB0014-001	ANT TERMINAL		
	C 3	EETC1CM-106ZJC	E.CAPACITOR				L 1	QQR0796-002	COIL BLOCK		
	C 4	NCB21HK-103X	C CAPACITOR				L 2	QQL231K-330Y	INDUCTOR		
	C 6	NCB21HK-102X	C CAPACITOR				L 3	QQL231K-4R7Y	INDUCTOR		
	C 7	NCB21HK-102X	C CAPACITOR				Q 1	2SC2814/4-5/-X	TRANSISTOR		
	C 8	NCB21HK-102X	C CAPACITOR				Q 5	DTA114YKA-X	TRANSISTOR		
	C 10	NRSA02J-0R0X	MG RESISTOR				R 1	QRE141J-560Y	C RESISTOR	56 5% 1/4W	
	C 11	NCB21HK-104X	C CAPACITOR				R 2	NRSA02J-331X	MG RESISTOR		
	C 12	NCB21HK-473X	C CAPACITOR				R 3	NRSA02J-224X	MG RESISTOR		
	C 13	NCS21HJ-120X	C CAPACITOR				R 4	NRSA02J-331X	MG RESISTOR		
	C 14	QEKC1AM-107Z	E.CAPACITOR	100MF 20% 10V			R 5	NRSA02J-560X	MG RESISTOR		
	C 15	NCS21HJ-120X	C CAPACITOR				R 6	NRSA02J-240X	M.G.RESISTOR		
	C 16	NCS21HJ-120X	C CAPACITOR				R 10	NRSA02J-222X	MG RESISTOR		
	C 17	NCB21HK-392X	C CAPACITOR				R 13	NRSA02J-103X	MG RESISTOR		
	C 18	QEQ61HM-474Z	NP E.CAPACITOR	.47MF 20% 50V			R 14	NRSA02J-104X	MG RESISTOR		
	C 19	NCB21HK-473X	C CAPACITOR				R 15	NRSA02J-332X	MG RESISTOR		
	C 20	NCB21HK-102X	C CAPACITOR				R 16	NRSA02J-472X	MG RESISTOR		
	C 21	NCB21HK-223X	C CAPACITOR				R 17	QRZ9005-680X	F.RES I/M	68 1/0W	
	C 22	NCS21HJ-151X	C CAPACITOR				R 18	NRSA02J-102X	MG RESISTOR		
	C 23	NCS21HJ-151X	C CAPACITOR				R 19	NRSA02J-102X	MG RESISTOR		
	C 24	NCS21HJ-151X	C CAPACITOR				R 20	NRSA02J-102X	MG RESISTOR		
	C 25	QEKC1AM-107Z	E.CAPACITOR	100MF 20% 10V			R 21	NRSA02J-562X	MG RESISTOR		
	C 26	NCB21HK-102X	C CAPACITOR				R 22	NRSA02J-472X	MG RESISTOR		
	C 27	NCB21HK-102X	C CAPACITOR				R 23	NRSA02J-182X	MG RESISTOR		
	C 30	EETC1CM-107ZJC	E CAPACITOR				R 24	NRSA02J-103X	MG RESISTOR		
	C 31	QEKC1CM-226Z	E CAPACITOR	22MF 20% 16V			R 25	NRSA02J-331X	MG RESISTOR		
	C 32	NCB21HK-473X	C CAPACITOR				R 26	NRSA02J-222X	MG RESISTOR		
	C 33	NCB21HK-473X	C CAPACITOR				R 27	NRSA02J-103X	MG RESISTOR		
	C 34	NCB21HK-223X	C CAPACITOR				R 28	NRSA02J-103X	MG RESISTOR		
	C 35	NCB21HK-473X	C CAPACITOR				R 29	NRSA02J-103X	MG RESISTOR		
	C 36	EETC1HM-105ZJC	E.CAPA. I.M				R 30	NRSA02J-122X	MG RESISTOR		
	C 37	EETC1HM-105ZJC	E.CAPA. I.M				R 31	NRSA02J-102X	MG RESISTOR		
	C 38	EETC1HM-224ZJC	E.CAPA. I.M				R 32	NRSA02J-102X	MG RESISTOR		
	C 39	EETC1HM-105ZJC	E.CAPA. I.M				R 33	NRSA02J-331X	MG RESISTOR		
	C 40	QETN1CM-106Z	E CAPACITOR	10MF 20% 16V			R 34	NRSA02J-470X	MG RESISTOR		
	C 41	QETN1CM-106Z	E CAPACITOR	10MF 20% 16V			R 35	NRSA02J-562X	MG RESISTOR		
	C 42	NCB21HK-152X	C CAPACITOR				R 36	NRSA02J-332X	MG RESISTOR		
	C 43	NCB21HK-152X	C CAPACITOR				R 37	NRSA02J-103X	MG RESISTOR		
	C 44	QETN1CM-106Z	E CAPACITOR	10MF 20% 16V			R 38	NRSA02J-563X	M.G.RESISTOR		
	C 45	QETN1CM-106Z	E CAPACITOR	10MF 20% 16V			R 39	NRSA02J-563X	MG RESISTOR		
	C 46	NCB21HK-273X	C CAPACITOR				R 40	NRSA02J-243X	MG RESISTOR		
	C 47	EETC1HM-105ZJC	E.CAPA. I.M				R 41	NRSA02J-332X	MG RESISTOR		
	C 48	NCB21HK-222X	C CAPACITOR				R 60	NRSA02J-0R0X	MG RESISTOR		
	C 49	NCS21HJ-471X	C CAPACITOR				T 1	QQR0793-001	IFT		
	C 50	QEKC1CM-226Z	E CAPACITOR	22MF 20% 16V			TU 1	QAU0161-001	FRONT END		
	C 51	QEKC1HM-105Z	E.CAPACITOR	1.0MF 20% 50V			X 1	QAX0402-001	CRYSTAL		
	C 52	QFVJ1HJ-274Z	MF CAPACITOR	.27MF 5% 50V							
	C 53	EETC1CM-226ZJC	E.CAPA. I.M								
	C 54	NCB21HK-473X	C CAPACITOR								
	C 57	NCB21HK-102X	C CAPACITOR								
	C 58	NCB21HK-473X	C CAPACITOR								
	C 59	NCB21HK-102X	C CAPACITOR								
	CF 1	VCF2L3B-105Z	CERAMIC FILTER								
	CF 2	VCF2L3B-105Z	CERAMIC FILTER								
	CF 3	QAX0610-001Z	C DISCRIMINATOR								
	CN 1	QGF1205F1-09	CONNECTOR								
	D 1	1SS133-T2	SI DIODE								
	D 2	1SS133-T2	SI DIODE								
	D 3	1SS133-T2	SI DIODE								
	D 4	1SS133-T2	SI DIODE								
	D 11	1SS133-T2	SI DIODE								
	IC 1	LA1838	IC								

■ Electrical parts list(Head amp board)

Block No. 05

△	Item	Parts number	Parts name	Remarks	Area
C 101	NCS21HJ-821X	C CAPACITOR	820PF 5% 50V		
C 102	NCS21HJ-221X	C CAPACITOR	220PF 5% 50V		
C 103	QEKJ0JM-227Z	E CAPACITOR	220MF 20% 6.3V		
C 104	NCB21HK-333X	C CAPACITOR	.033MF 10% 50V		
C 105	NCB21HK-222X	C CAPACITOR	2200PF 10% 50V		
C 106	QEKJ1CM-106Z	E CAPACITOR	10MF 20% 16V		
C 107	NCS21HJ-561X	C CAPACITOR	560PF 5% 50V		
C 108	QEKJ1EM-475Z	E CAPACITOR	4.7MF 20% 25V		
C 109	QEKJ1EM-475Z	E CAPACITOR	4.7MF 20% 25V		
C 110	NCB21HK-682X	C.CAPA. C.M	6800PF 10% 50V		
C 111	NCB21HK-122X	C CAPACITOR	1200PF 10% 50V		
C 112	NCB21EK-683X	C CAPACITOR	.068MF 10% 25V		
C 113	NCB21HK-222X	C CAPACITOR	2200PF 10% 50V		
C 121	NCS21HJ-331X	C CAPACITOR	330PF 5% 50V		
C 201	NCS21HJ-821X	C CAPACITOR	820PF 5% 50V		
C 202	NCS21HJ-221X	C CAPACITOR	220PF 5% 50V		
C 203	QEKJ0JM-227Z	E CAPACITOR	220MF 20% 6.3V		
C 204	NCB21HK-333X	C CAPACITOR	.033MF 10% 50V		
C 205	NCB21HK-222X	C CAPACITOR	2200PF 10% 50V		
C 206	QEKJ1CM-106Z	E CAPACITOR	10MF 20% 16V		
C 207	NCS21HJ-561X	C CAPACITOR	560PF 5% 50V		
C 208	QEKJ1EM-475Z	E CAPACITOR	4.7MF 20% 25V		
C 209	QEKJ1EM-475Z	E CAPACITOR	4.7MF 20% 25V		
C 210	NCB21HK-682X	C.CAPA. C.M	6800PF 10% 50V		
C 211	NCB21HK-122X	C CAPACITOR	1200PF 10% 50V		
C 212	NCB21EK-683X	C CAPACITOR	.068MF 10% 25V		
C 213	NCB21HK-222X	C CAPACITOR	2200PF 10% 50V		
C 221	NCS21HJ-331X	C CAPACITOR	330PF 5% 50V		
C 301	QEKJ1AM-107Z	E CAPACITOR	100MF 20% 10V		
C 302	NCB21HK-393X	C CAPACITOR	.039MF 10% 50V		
C 303	QEKJ0JM-227Z	E CAPACITOR	220MF 20% 6.3V		
C 304	QEKJ1CM-226Z	E CAPACITOR	22MF 20% 16V		
C 305	QEKJ1CM-226Z	E CAPACITOR	22MF 20% 16V		
C 306	QEKJ1CM-476Z	E CAPACITOR	47MF 20% 16V		
C 307	NCB21HK-103X	C CAPACITOR	.010MF 10% 50V		
C 308	NCB21HK-562X	C CAPACITOR	5600PF 10% 50V		
C 309	NCB21HK-562X	C CAPACITOR	5600PF 10% 50V		
C 310	NCB21HK-223X	C CAPACITOR	.022MF 10% 50V		
C 311	NCB21HK-682X	C.CAPA. C.M	6800PF 10% 50V		
C 313	QEKJ1AM-107Z	E CAPACITOR	100MF 20% 10V		
C 314	QCZ0205-155Z	ML C CAP I/M	1.5MF		
C 315	QCZ0205-155Z	ML C CAP I/M	1.5MF		
C 316	QFG32AJ-103Z	PP CAPACITOR	.010MF 5% 100V		
C 318	NCB21HK-103X	C CAPACITOR	.010MF 10% 50V		
C 319	QFG32AJ-821Z	TF CAPACITOR	820PF 5% 100V		
C 321	NCB21HK-103X	C CAPACITOR	.010MF 10% 50V		
C 322	QFG32AJ-152Z	M CAPACITOR	1500PF 5% 100V		
C 331	QEKJ1CM-476Z	E CAPACITOR	47MF 20% 16V		
C 351	QEK41CM-106	E CAPACITOR	10MF 20% 16V		
C 371	QEKJ1EM-475Z	E CAPACITOR	4.7MF 20% 25V		
C 374	QEKJ1AM-107Z	E CAPACITOR	MOTOR +B		
C 375	QEKJ1AM-107Z	E CAPACITOR	100MF 20% 10V		
C 376	NCB21HK-103X	C CAPACITOR	.010MF 10% 50V		
CN 31	QGF1205F1-06	CONNECTOR	PRI/HEAD		
CN 32	QGB2011M1-10	PWB CONECTOR	PRI/MECHA		
CN 33	QGF1205F1-09	CONNECTOR	PRI/MICON		
CN 34	QGF1205F1-10	CONNECTOR	PRI/AMP		
D 301	MA152WA-X	DIODE			
D 309	MA704A-X	S.K.DIODE			
D 375	MA3051/M-X	ZENER DIODE			
FW 31	QUM024-06A2Z3	EF FLAT			
IC 31	BA3126N	IC	HEAD SW		
IC 32	AN7317	IC	PB&REC		

△	Item	Parts number	Parts name	Remarks	Area
IC 33	BU4094BCF-X	IC			
L 301	QQR0620-001	OSC COIL(BIAS)			
L 303	QQL01BK-100Z	INDUCTOR			
Q 101	DTC114TKA-X	TRANSISTOR			
Q 102	DTC114TKA-X	TRANSISTOR	REC EQ CONT.		
Q 201	DTC114TKA-X	TRANSISTOR			
Q 202	DTC114TKA-X	TRANSISTOR	REC EQ CONT.		
Q 301	DTA144EKA-X	TRANSISTOR	REC EQ CONT.		
Q 302	2SC2001/K/-T	TR I/M			
Q 303	2SC2001/K/-T	TR I/M			
Q 304	2SC2001/LK/-T	TRANSISTOR			
Q 305	2SC2001/LK/-T	TRANSISTOR			
Q 306	2SC2412K/RS/-X	CHIP TR.C.M			
Q 307	2SC2412K/RS/-X	CHIP TR.C.M			
Q 308	2SC2412K/RS/-X	CHIP TR.C.M			
Q 309	2SC2412K/RS/-X	CHIP TR.C.M			
Q 321	DTC144EKA-X	TRANSISTOR			
Q 323	2SC2412K/RS/-X	CHIP TR.C.M			
Q 371	2SA952/LK/-T	TRANSISTOR	MOTER+B		
Q 372	DTC124EKA-X	TRANSISTOR			
Q 375	2SB562/C/-T	TRANSISTOR	SOLENOID DRIVE		
Q 376	2SC2412K/RS/-X	CHIP TR.C.M			
R 101	NRSA02J-220X	MG RESISTOR	22 5% 1/10W		
R 102	NRSA02J-182X	MG RESISTOR	1.8K 5% 1/10W		
R 103	NRSA02J-242NY	MG RESISTOR	2.4K 5% 1/10W		
R 104	NRSA02J-122X	MG RESISTOR	1.2K 5% 1/10W		
R 105	NRSA02J-104X	MG RESISTOR	100K 5% 1/10W		
R 106	NRSA02J-332X	MG RESISTOR	3.3K 5% 1/10W		
R 107	NRSA02J-123X	RES. C.M	12K 5% 1/10W		
R 108	NRSA02J-562X	MG RESISTOR	5.6K 5% 1/10W		
R 109	NRSA02J-122X	MG RESISTOR	1.2K 5% 1/10W		
R 110	NRSA02J-472X	RES. C.M	4.7K 5% 1/10W		
R 111	NRSA02J-333X	MG RESISTOR	33K 5% 1/10W		
R 112	NRSA02J-222X	MG RESISTOR	2.2K 5% 1/10W		
R 113	NRSA02J-472X	RES. C.M	4.7K 5% 1/10W		
R 114	NRSA02J-272X	MG RESISTOR	2.7K 5% 1/10W		
R 116	NRSA02J-102X	RES. C.M	1.0K 5% 1/10W		
R 121	NRSA02J-102X	RES. C.M	1.0K 5% 1/10W		
R 201	NRSA02J-220X	MG RESISTOR	22 5% 1/10W		
R 202	NRSA02J-182X	MG RESISTOR	1.8K 5% 1/10W		
R 203	NRSA02J-242NY	MG RESISTOR	2.4K 5% 1/10W		
R 204	NRSA02J-122X	MG RESISTOR	1.2K 5% 1/10W		
R 205	NRSA02J-104X	MG RESISTOR	100K 5% 1/10W		
R 206	NRSA02J-332X	MG RESISTOR	3.3K 5% 1/10W		
R 207	NRSA02J-123X	RES. C.M	12K 5% 1/10W		
R 208	NRSA02J-562X	MG RESISTOR	5.6K 5% 1/10W		
R 209	NRSA02J-122X	MG RESISTOR	1.2K 5% 1/10W		
R 210	NRSA02J-472X	RES. C.M	4.7K 5% 1/10W		
R 211	NRSA02J-333X	MG RESISTOR	33K 5% 1/10W		
R 212	NRSA02J-222X	MG RESISTOR	2.2K 5% 1/10W		
R 213	NRSA02J-472X	RES. C.M	4.7K 5% 1/10W		
R 214	NRSA02J-272X	MG RESISTOR	2.7K 5% 1/10W		
R 216	NRSA02J-102X	RES. C.M	1.0K 5% 1/10W		
R 221	NRSA02J-102X	RES. C.M	1.0K 5% 1/10W		
R 301	NRS181J-221X	MG RESISTOR	220 5% 1/8W		
R 303	NRSA02J-393X	MG RESISTOR	39K 5% 1/10W		
R 304	NRS181J-101X	MG RESISTOR	100 5% 1/8W		
R 305	NRSA02J-222X	MG RESISTOR	2.2K 5% 1/10W		
R 306	NRSA02J-222X	MG RESISTOR	2.2K 5% 1/10W		
R 310	NRS181J-560X	MG RESISTOR	56 5% 1/8W		
R 311	NRS181J-560X	MG RESISTOR	56 5% 1/8W		
R 313	NRSA02J-3R3NY	RES. C.M	3.3 5% 1/10W		
R 314	NRSA02J-223X	RES. C.M	22K 5% 1/10W		

■ Electrical parts list (Head amp board)

Block No. 05

△	Item	Parts number	Parts name	Remarks	Area
	R 315	NRSA02J-100X	MG RESISTOR	10 5% 1/10W	
	R 316	NRSA02J-223X	RES. C.M	22K 5% 1/10W	
	R 317	NRSA02J-100X	MG RESISTOR	10 5% 1/10W	
	R 319	NRSA02J-152X	MG RESISTOR	1.5K 5% 1/10W	
	R 322	NRSA02J-152X	MG RESISTOR	1.5K 5% 1/10W	
	R 327	NRSA02J-474X	MG RESISTOR	470K 5% 1/10W	
	R 332	NRSA02J-123X	RES. C.M	12K 5% 1/10W	
	R 333	NRSA02J-123X	RES. C.M	12K 5% 1/10W	
	R 335	NRSA02J-152X	MG RESISTOR	1.5K 5% 1/10W	
	R 336	NRSA02J-472X	RES. C.M	4.7K 5% 1/10W	
	R 337	NRSA02J-332X	MG RESISTOR	3.3K 5% 1/10W	
	R 338	NRSA02J-392X	MG RESISTOR	3.9K 5% 1/10W	
	R 339	NRSA02J-222X	MG RESISTOR	2.2K 5% 1/10W	
	R 340	NRS181J-391X	MG RESISTOR	390 5% 1/8W	
	R 341	NRSA02J-123X	RES. C.M	12K 5% 1/10W	
	R 342	NRSA02J-203X	MG RESISTOR	20K 5% 1/10W	
	R 343	NRSA02J-183X	MG RESISTOR	18K 5% 1/10W	
	R 351	NRSA02J-683X	MG RESISTOR	68K 5% 1/10W	
	R 352	NRSA02J-912X	RES. C.M	9.1K 5% 1/10W	
	R 371	NRSA02J-123X	RES. C.M	12K 5% 1/10W	
	R 372	NRSA02J-102X	RES. C.M	1.0K 5% 1/10W	
	R 375	NRSA02J-151X	MG RESISTOR	150 5% 1/10W	
	R 376	NRSA02J-472X	RES. C.M	4.7K 5% 1/10W	
	VR 31	QVP0008-503Z	SEMI V RESISTOR	BIAS ADJ	
	VR 32	QVP0008-503Z	SEMI V RESISTOR	BIAS ADJ	
	VR 37	QVP0008-103Z	SEMI V RESISTOR	TAPE SPEED ADJ	

■ Electrical parts list (Switch board)

Block No. 06

△	Item	Parts number	Parts name	Remarks	Area
	CN 1	QGB2011L1-10	10P PLUG ASSY		
	D 1	1SR139-400-T2	SI DIODE		
	IC 1	SG-105F3-BB,C	PHOTO SENSER		
	P 1	QNZ0104-001	POST PIN		
	SW 1	QSW0832-001	CASSETTE SWITCH	R.REC	
	SW 2	QSW0832-001	CASSETTE SWITCH	TAPE	
	SW 4	QSW0832-001	CASSETTE SWITCH	70U	
	SW 5	QSW0832-001	CASSETTE SWITCH	F.REC	
	SW 6	QSW0859-001	SWITCH		

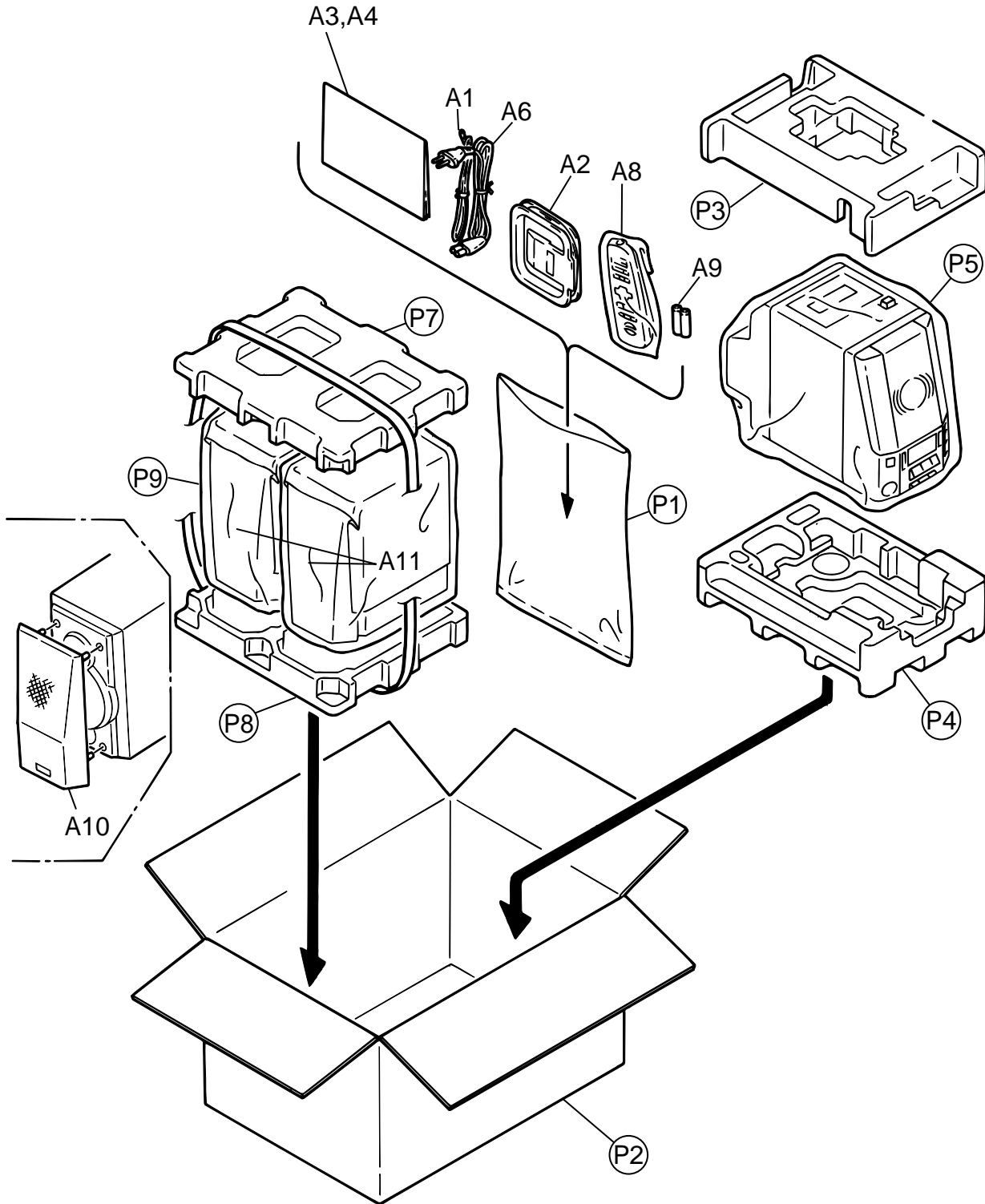
Packing materials and accessories parts list

Block No.

M	3	M	M
---	---	---	---

Block No.

M	4	M	M
---	---	---	---



Parts list (Packing)

Block No. M3MM

△	Item	Parts number	Parts name	Q'ty	Description	Area
	P 1	QPA02503503P	POLY BAG	1	FOR INST. BOOK	
	P 2	GV20061-001A	CARTON	1		
	P 3	GV10038-001A	CUSHION(TOP)	1		
	P 4	GV10039-001A	CUSHION(BOTTOM)	1		
	P 5	GV30126-001A	POLYBAG	1		
	P 7	8000041211	PACKING CUSHION	1	FOR SPEAKER	
	P 8	8000041201	PACKING CUSHION	1	FOR SPEAKER	
	P 9	8500032741	POLY BAG	1	FOR SPEAKER	

Parts list (Accessories)

Block No. M4MM

△	Item	Parts number	Parts name	Q'ty	Description	Area
	A 1	EWP503-001	ANT.WIRE	1		
	A 2	QAL0014-001	AM LOOP ANT	1		
	A 3	GVT0032-011A	INST.BOOK	1	CHI(PEKIN)	
	A 4	BT-59012-1	SERVICE NETWORK	1		
△	A 6	QMPS020-183-JC	POWER CORD	1		
	A 8	RM-RXUV3	REMOCON UNIT	1		
	A 9	-----	BATTERY	2		
	A 10	9908700201	SARAN BOARD	2		
	A 11	UXV30R-SPBOX	SPEAKER BOX	2		